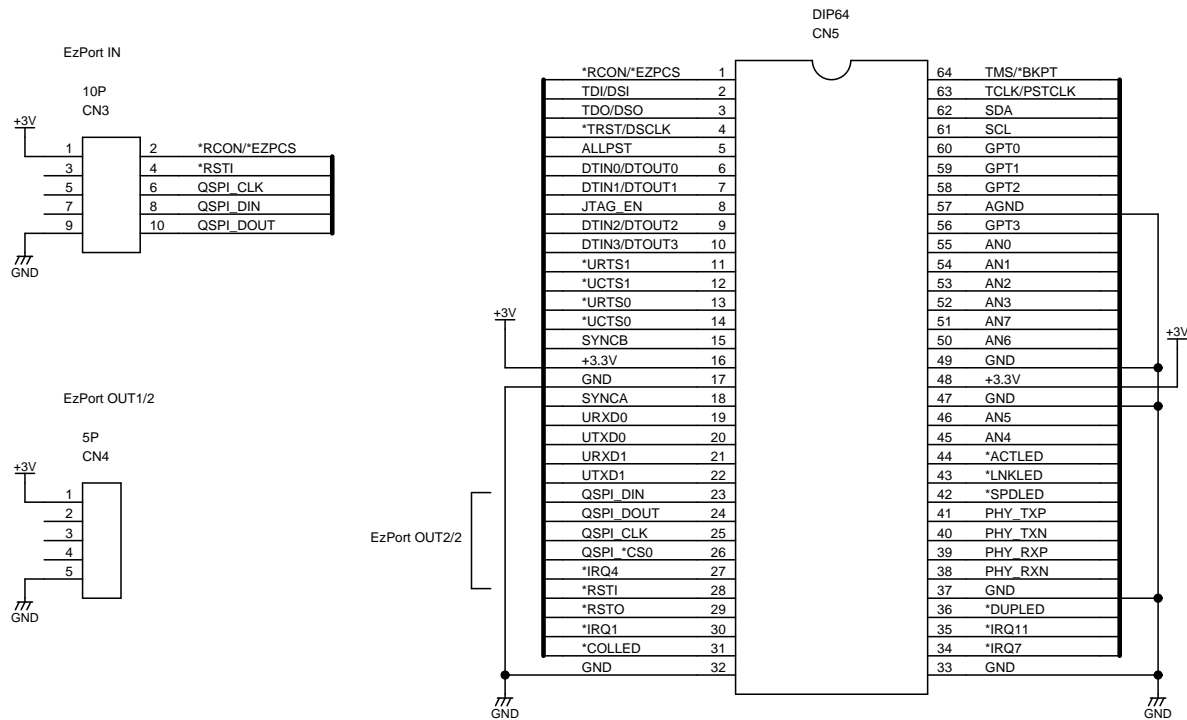


|                     |            |              |                                      |
|---------------------|------------|--------------|--------------------------------------|
| TITLE               |            | DRAWING_No.  |                                      |
| MCF52233-CPU<br>回路図 |            |              |                                      |
| SHEET               | DATE       | DESIGN       | SilentSystem<br>www.silentssystem.jp |
| 1 / 2               | 2009/03/18 | Okada Setsuo |                                      |



|                     |            |              |                                     |
|---------------------|------------|--------------|-------------------------------------|
| TITLE               |            | DRAWING_No.  |                                     |
| MCF52233-CPU<br>回路図 |            |              |                                     |
| SHEET               | DATE       | DESIGN       | SilentSystem<br>www.silentsystem.jp |
| 2 / 2               | 2009/03/18 | Okada Setsuo |                                     |